



P.O. BOX 8003
 WAUSAU, WI 54401-8003
 PH. 715-675-3311

CERTIFICATION DATA SHEET

CUSTOMER: CUSTOMER PO#:
ORDER #: MODEL #: 215TBFL9038 AE
CONN. DIAGRAM: A-EE9048LN CUSTOMER PART #:
OUTLINE: A-SS330124-1025 MOUNTING: F1 ONLY
WINDING #: BK104100 1

TYPICAL MOTOR PERFORMANCE DATA

HP	kW	SYNC. RPM	F.L. RPM	FRAME	ENCLOSURE	KVA CODE	DESIGN
7 1/2	5.60	1800	1730	215TZ	TEFC	H	HIGH STARTING TORQUE

PH	Hz	VOLTS	AMPS	START TYPE	DUTY	INSL	S.F.	AMB
1	60	230	35	ACROSS THE LINE	CONTINUOUS	F3	1.15	40

FULL LOAD EFF:	82.5	3/4 LOAD EFF:	83.5	1/2 LOAD EFF:	80.7	GTD. EFF	ELEC. TYPE
FULL LOAD PF:	84.3	3/4 LOAD PF:	79.1	1/2 LOAD PF:	69.8	0	CAP START CAP RUN

F.L. TORQUE	LOCKED ROTOR AMPS	L.R. TORQUE	B.D. TORQUE	F.L. RISE
22.5 LB-FT	227	80.6 LB-FT 358 %	53.9 LB-FT 240 %	

SOUND PRESSURE @ 3 FT.	SOUND POWER	ROTOR WK^2	MAX. WK^2	SAFE STALL TIME	STARTS / HOUR	APPROX. MOTOR WGT
dBA	dBA	0 LB-FT^2	LB-FT^2	10 SEC.		0 LBS.

***** SUPPLEMENTAL INFORMATION *****

DE BRACKET TYPE	ODE BRACKET TYPE	MOUNT TYPE	ORIENTATION	SEVERE DUTY	HAZARDOUS LOCATION	DRIP COVER	SCREENS	PAINT
STANDARD	STANDARD	RIGID	HORIZONTAL	FALSE	NONE	FALSE	NONE	BLACK ENAMEL

BEARINGS		GREASE	SHAFT TYPE	SPECIAL DE	SPECIAL ODE	SHAFT MATERIAL	FRAME MATERIAL
DE	ODE						
BALL	BALL	STANDARD	SGL SPL EXT	1.125 x 3.38 IN SEK	NONE	STANDARD	ALUMINUM
307	206						

THERMO-PROTECTORS				THERMISTORS	CONTROL	SPACE HEATERS	
THERMOSTATS	PROTECTORS	WDG RTDs	BRG RTDs			NONE	VOLTS
NONE	MANUAL	NONE	NONE	NONE	FALSE	NONE	

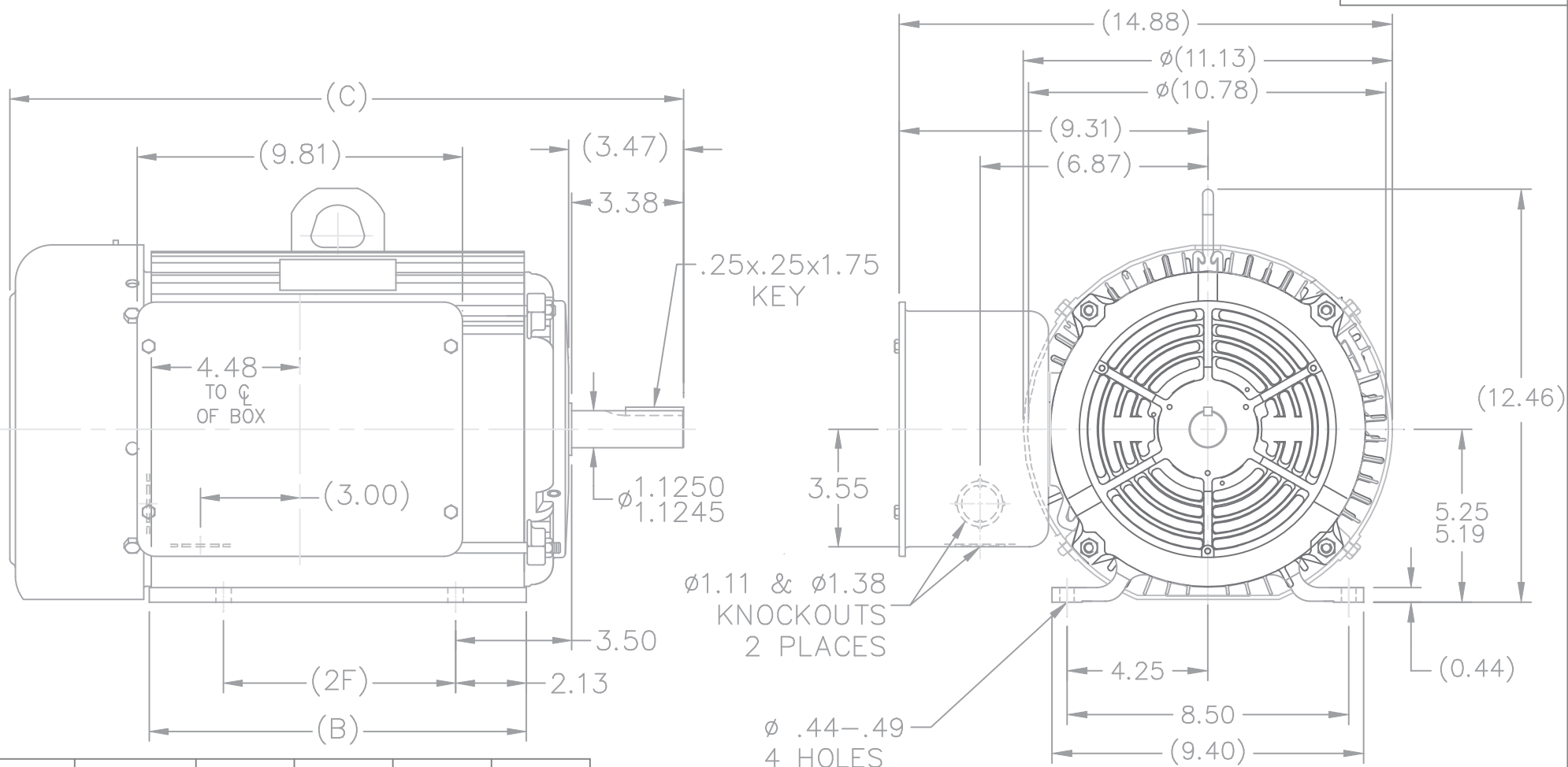
* BLACK PAINT
 * CHORE MOTOR
 N 1.12' X 3.38' SHAFT
 O/L
 O LED 965 LIKE 215TBFL9028, SET UP NEW MODEL
 T SO NOT TO CONFUSE
 E AS STOCK
 S
 *

PREPARED BY: DATE: 12/05/2012 02:45:31 PM
 FORM 3531 REV.3 02/07/99
 ** Subject to change without notice.

INVERTER TORQUE: NONE
 INV. HP SPEED RANGE: NONE

ENCODER: NONE
 NONE NONE
 NONE NONE PPR

BRAKE: NONE NONE
 NONE P/N NONE
 NONE NONE
 FT-LB NONE V NONE Hz

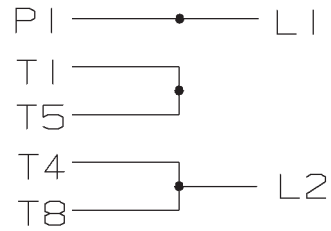


NOTES:
 1. CONDUIT BOX CAN BE ROTATED IN 180° STEPS.
 2. NAMEPLATE TO BE READ FROM CONDUIT BOX SIDE OF MOTOR.

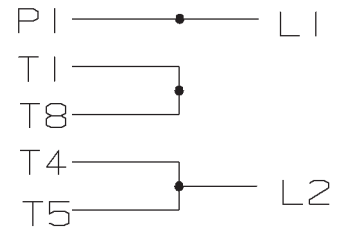
1025	215T	19.33	---	10.37	7.00
1125	215T	20.33	---	11.37	7.00
DASH	FRAME	C	AG	B	2F

		TOLERANCES UNLESS SPECIFIED				DRAWN MKLEIST 09-07-05	
		DEC.	INCHES			CHK	ML 09-19-2005
		.X	±.1			APPD	CD 09-19-2005
		.XX	±.03			SCALE	7=32
		.XXX	±.005			REF	
		.XXXX	±.0005	MAT'L.	FMF		
NO.	REVISION	BY & DATE	CHK	ANG	±7'30"	FINISH	PREV
THIS DRAWING IN DESIGN AND DETAIL IS OUR PROPERTY AND MUST NOT BE USED EXCEPT IN CONNECTION WITH OUR WORK ALL RIGHTS OF DESIGN AND INVENTION ARE RESERVED THIS IS AN ELECTRONICALLY GENERATED DOCUMENT - DO NOT SCALE THIS PRINT				RFP	CAD FILE ss330124	SIZE	DRAWING NO. PAGE OF REV.
				DIST	LB	A	SS330124

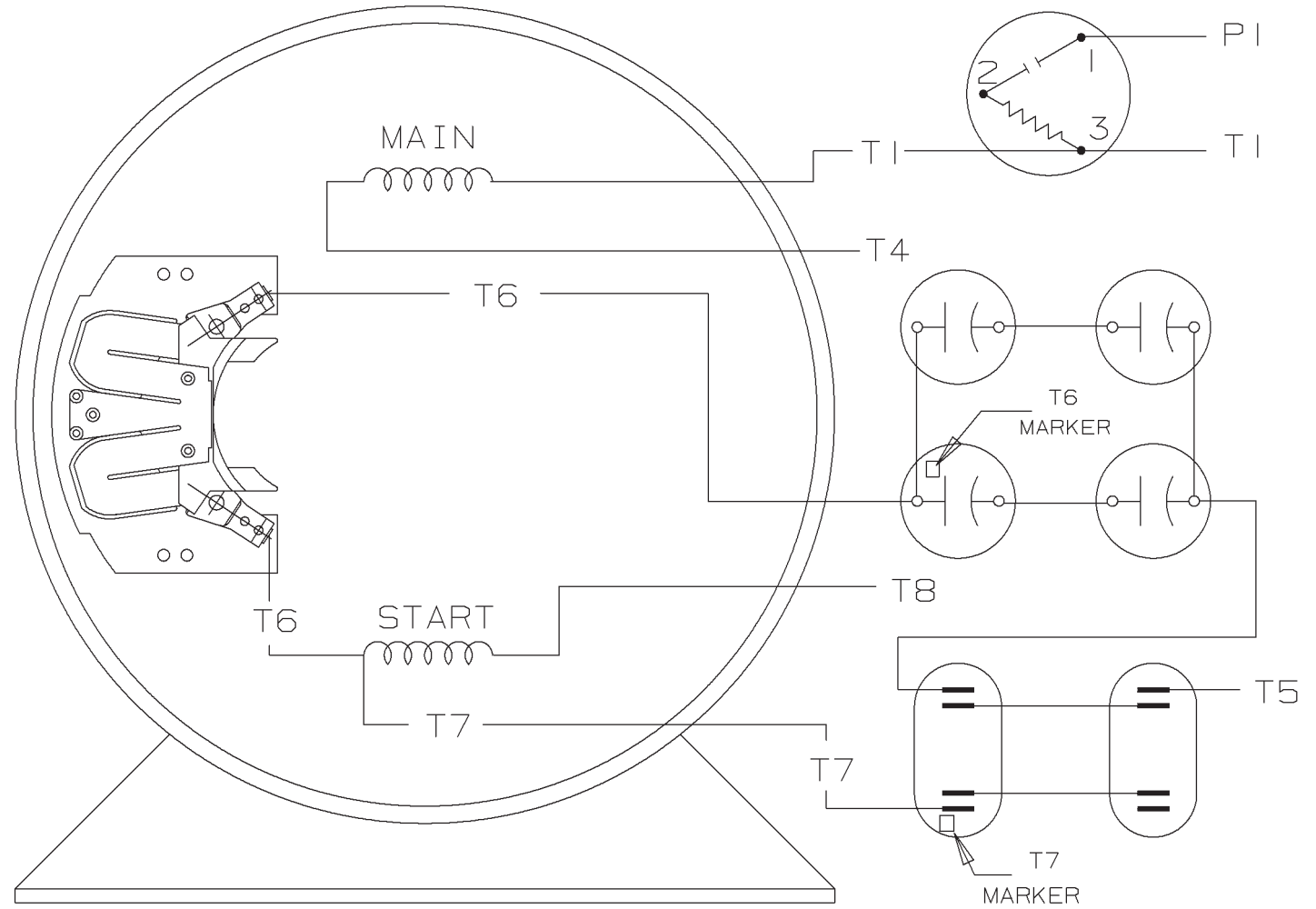
C.W. ROTATION



C.C.W. ROTATION



CONNECT:
START CAPACITORS IN SERIES -
PARALLEL.
RUN CAPACITORS IN PARALLEL



SINGLE VOLTAGE
CAPACITOR START
CAPACITOR RUN
REVERSIBLE

VIEW OF TERMINAL END

				✓ MAX. SURFACE ROUGHNESS UNLESS NOTED OTHERWISE	UNLESS OTHERWISE SPECIFIED DIMENSIONS ARE IN INCHES TOL. ON XX± XXX±.005 XXXX±.0005 ANGLES±		
				MATL SPEC	180 - 210 SWITCH	DRAWN BY	GK 11-01-1986
				FINISH	MARATHON ELECTRIC	CHKD BY	ML 11-01-1986
I	11-04-1986	NEW DRAWING	CN 7664C	GK	REFERENCE DRW.	WAUSAU, WISCONSIN 54401	APPD BY FG 11-04-1986
REV	DATE	CHANGE	NAME	PART NAME CONNECTION DIAGRAM			DRWG NO A- EE9048LN

SHOP BOOK

PURCHASED

DISTRIBUTION - WA - LB - WP - LM - BR

CADD FILE NO.

EE9048LN